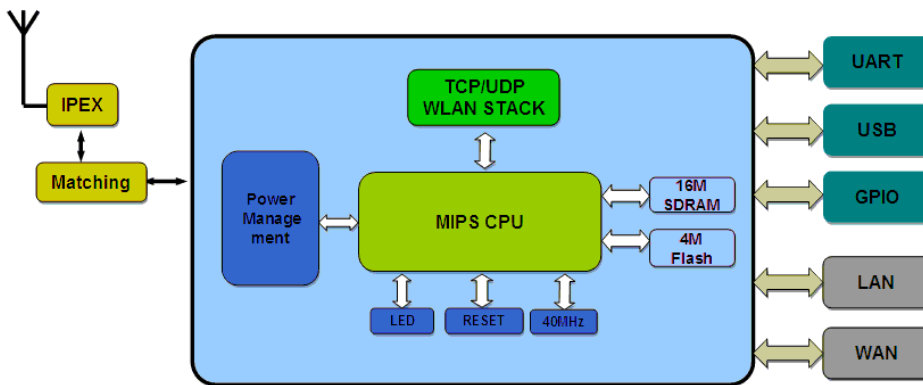


Overview:

HLK-RM04 is a new low-cost embedded UART-ETH-WIFI module (serial port - Ethernet -Wireless network) developed by Shenzhen Hi-Link Electronic co., Ltd.

This product is an embedded module based on the universal serial interface network standard,built-in TCP / IP protocol stack, enabling the user serial port, Ethernet, wireless network (wifi) interface between the onversions.Through the HLK-RM04 module, the traditional serial devices do not need to change any configuration,data can be transmitted through the Internet network. Provide a quick solution for the user's serial devices to transfer data via Ethernet

Module Block Diagram



Note:The software support of usb and GPIO will be release later

Benefits

- WiFi Router module solutions
- Ready to use in products
- Minimises product development time
- No RF test required for systems
- Compliant with CE and FCC part 15 rules.
- Serial to Wifi;Serial to Net;Both by one module

Applications

- WiFi Led Control
- WiFi Power Switch
- Home and Commercial building automation
- OBDII WiFi Diagnose
- RFID Data Transfer
- Toys and gaming peripherals
- Industrial systems
- Telemetry
- Remote Control

Features:

- 2.4GHz 802.11b/g/n,compatible
- Support IEEE 802.3、IEEE 802.3u
- WiFi Client/AP/Router Mode
- Support wps/wds
- The range of baudrate: 1200~500000bps
- Support transparent transmission mode
- Support multiple security authentication mechanisms:
 WEP64/WEP128/ TKIP/ AES
 WEP/WPA-PSK/WPA2-PSK
- Support wireless roam
- Support multiple network protocols:
 PPPOE/TCP/UDP/DDDNS
 /DHCP/DNS/HTTP/Firewre
- Support AT+ instruction set
- Support two config methods:Serial/WEB
- Device Dimensions 29mm*40mm* 8.8mm

Lead-free and RoHS compliant

1. Introduction

The HLK-RM04 module provides designers with a ready made component that provides a fully integrated solution for applications, using the IEEE802.11 standard in the 2.4-2.5GHz ISM frequency band, including 802.11b/g/n and also provides IEEE802.3, can be quickly and easily included in product designs. The modules integrate all of the RF components required, removing the need to perform expensive RF design and test. Products can be designed by simply connecting sensors and switches to the module IO pins or uart interface. The modules use ralink's chip Wireless Microcontroller, allowing designers to make use of the serial interface to connect with their device. Hence, this module allows designers to bring wireless applications to market in the minimum time with significantly reduced development effort and cost.

This product is an embedded module based on the universal serial interface network standard, built-in TCP / IP protocol stack, enabling the user serial port, Ethernet, wireless network (wifi) interface between the conversions. Through the HLK-RM04 module, the traditional serial devices do not need to change any configuration; data can be transmitted through the Internet network. Provide a quick solution for the user's serial devices to transfer data via Ethernet. Also the HLK-RM04 module has FCC modular approvals and is compliant with EU regulations.

2. Specifications

The parameters are defined here.

VDD=5.0V @ +25°C

Typical DC Characteristics		Notes
Only wifi current	~140mA	Wifi to serial, AP mode or Client mode
One rj45 current	~120mA	Serial to RJ45.
Two rj45 current	~135mA	One is Wan another is LAN
WiFi and two rj45	~160mA	Default Mode/Factory Mode
Centre frequency accuracy	+/-25ppm	Additional +/-15ppm allowance
Typical RF Characteristics		Notes
Receive sensitivity@PER	135M:-66dBm @10%PER; 54M:-70dBm 10%PER 11M:-84dBm @8%PER; 6M-88dBm @8%PER; 1M:-90dBm @8%PER	802.11n/g/b Use Iqview to adjust
Maximum Transmit power	18dBm/15dBm/13.5dBm +/-1.5dBm	802.11b/g/n
RF Port impedance – IPEX connector	50 ohm	2.4 - 2.5GHz
VSWR (max)	2:1	2.4 - 2.5GHz
Centre frequency accuracy	+/-25ppm	Additional +/-15ppm allowance
Peripherals		Notes
UART	2pins	1200-500kbps
RJ45(WAN)	4pins	Support pppoe
RJ45(LAN)	4pins	Support dhcp
3.3V Out	1pins	Support at most 300mA/3.3V

1.8V Out	1pins	Suupport atmost 300mA/1.8V
----------	-------	----------------------------

3. Product Development

Hi-Link supplies all the development tools needed to enable end-product development to occur quickly and efficiently. These are all freely available from www.hlktech.com. A evaluation kits is also available, allowing products to be quickly bread boarded. Efficient development of software applications is enabled by the provision of a complete, unlimited, software developer kit. This package provides everything required to develop application code and to trial it with hardware representative of the final module.

4. Pin Configurations

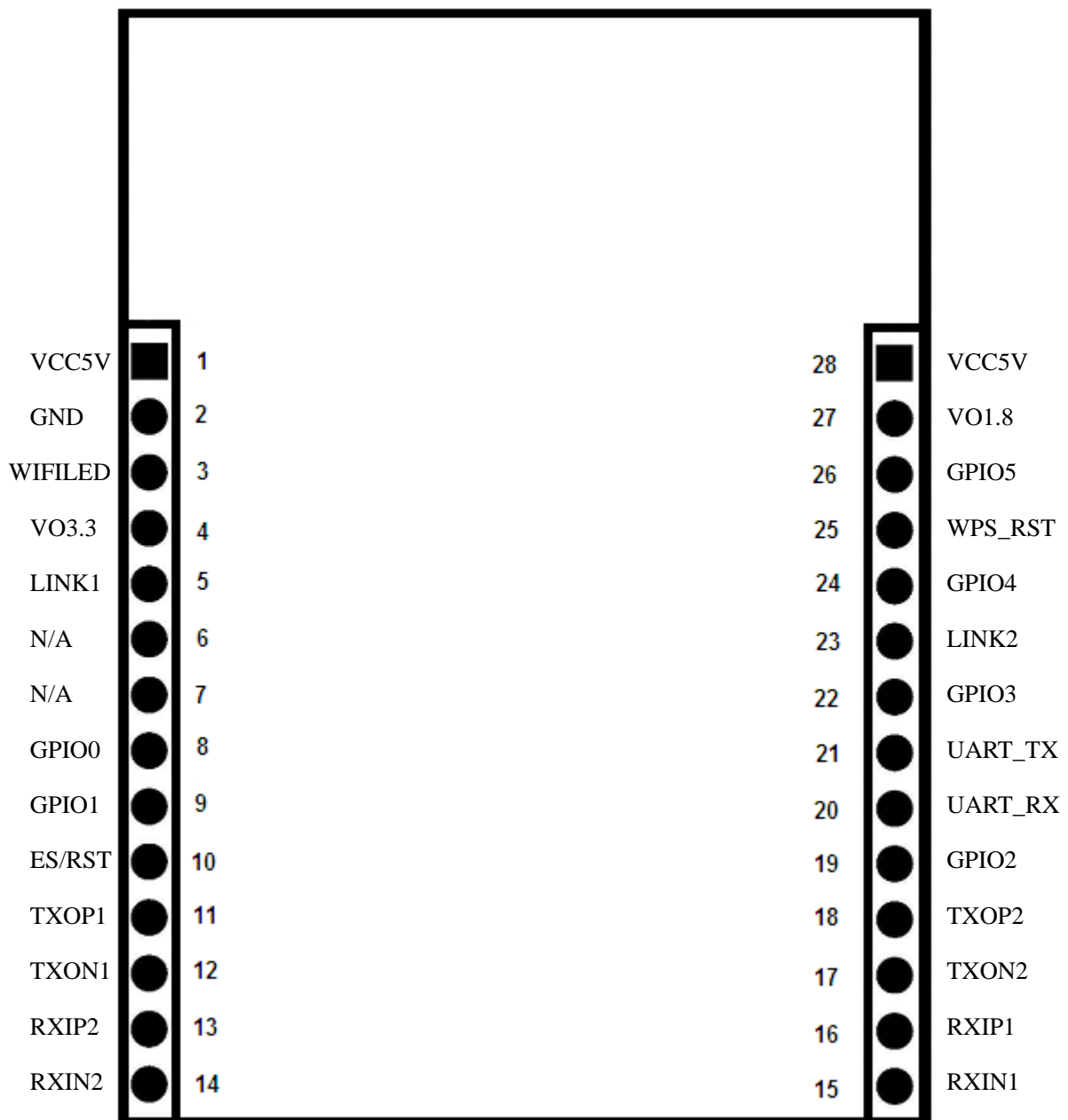


Figure 1: Pin Configuration (top view)

4.1. Pin Assignment

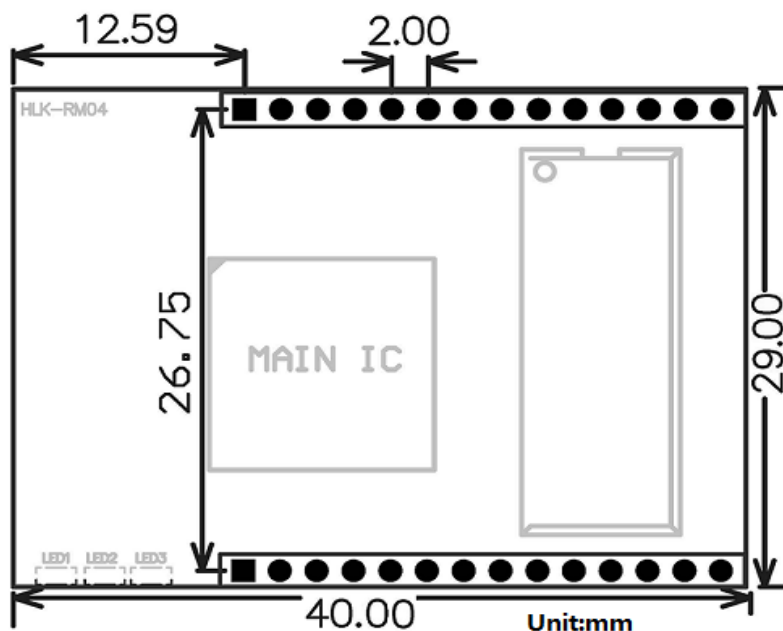
Pin No	Signal Type	Description
1	VCC5V	Supply Voltage, 5V+/-10%
2	GND	Analogue Ground
3	WIFILED	WLAN Activity LED
4	VO3.3	3.3V Output (Suuport Atmos 300mA)
5	LINK1	10/100 PHY Port #1 activity LED
6	N/A	Reserved
7	N/A	Reserved
8	GPIO0	General GPIO Reserved
9	GPIO1	General GPIO Reserved
10	ES/RST	Exit transparent transmission mode/Restore factory value
11	TXOP1	10/100 PHY Port #1 TXP
12	TXON1	10/100 PHY Port #1 TXN
13	RXIP2	10/100 PHY Port #2 TXP
14	RXIN2	10/100 PHY Port #2 TXN
15	RXIN1	10/100 PHY Port #1 RXN
16	RXIP1	10/100 PHY Port #1 RXP
17	TXON2	10/100 PHY Port #2 OXN
18	TXOP2	10/100 PHY Port #2 OXP
19	GPIO2	General GPIO Reserved
20	UART_RX	UART RXD.
21	UART_TX	UART TXD.
22	GPIO3	General GPIO Reserved
23	LINK2	10/100 PHY Port #2 activity LED
24	GPIO4	General GPIO Reserved
25	WPS/RST	WiFi Protected Setup /Restore factory value
26	GPIO5	General GPIO Reserved
27	VO1.8	1.8V Output (Suuport Atmos 300mA)
28	VCC5V	Supply Voltage, 5V+/-10%

5. Electrical Characteristics

Exceeding these conditions will result in damage to the device

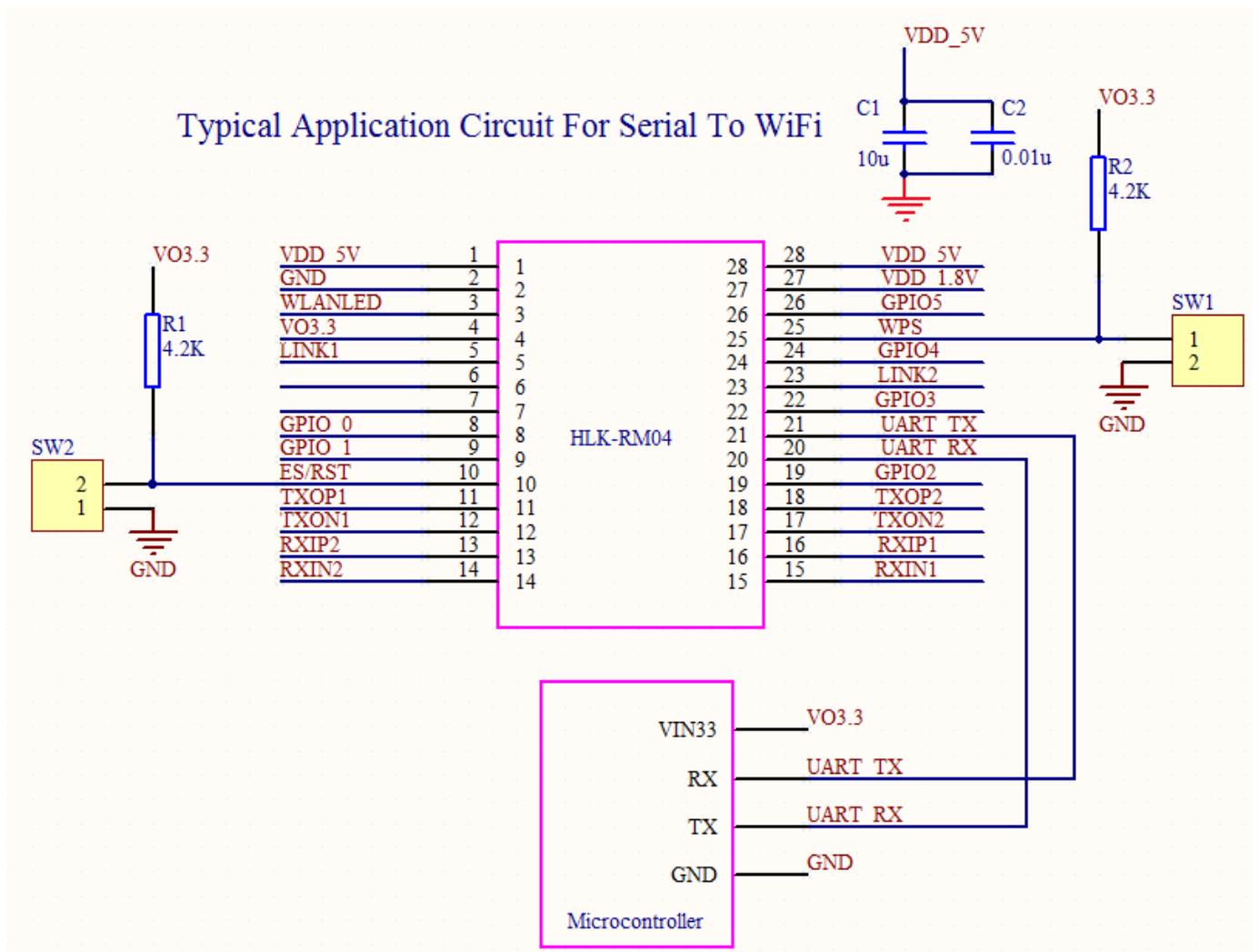
Parameter	Min	Max
Module supply Voltage VCC	3.9V	5.5V
Module Voltage Output VO3.3	3.1V	3.5V
Module Voltage Output VO1.8	1.65V	1.9V
GPIO Voltage	3.1V	3.5V
Storage Temperature	-40°C	95°C
Work Temperature	-20 °C	50°C

6. Outline Drawing

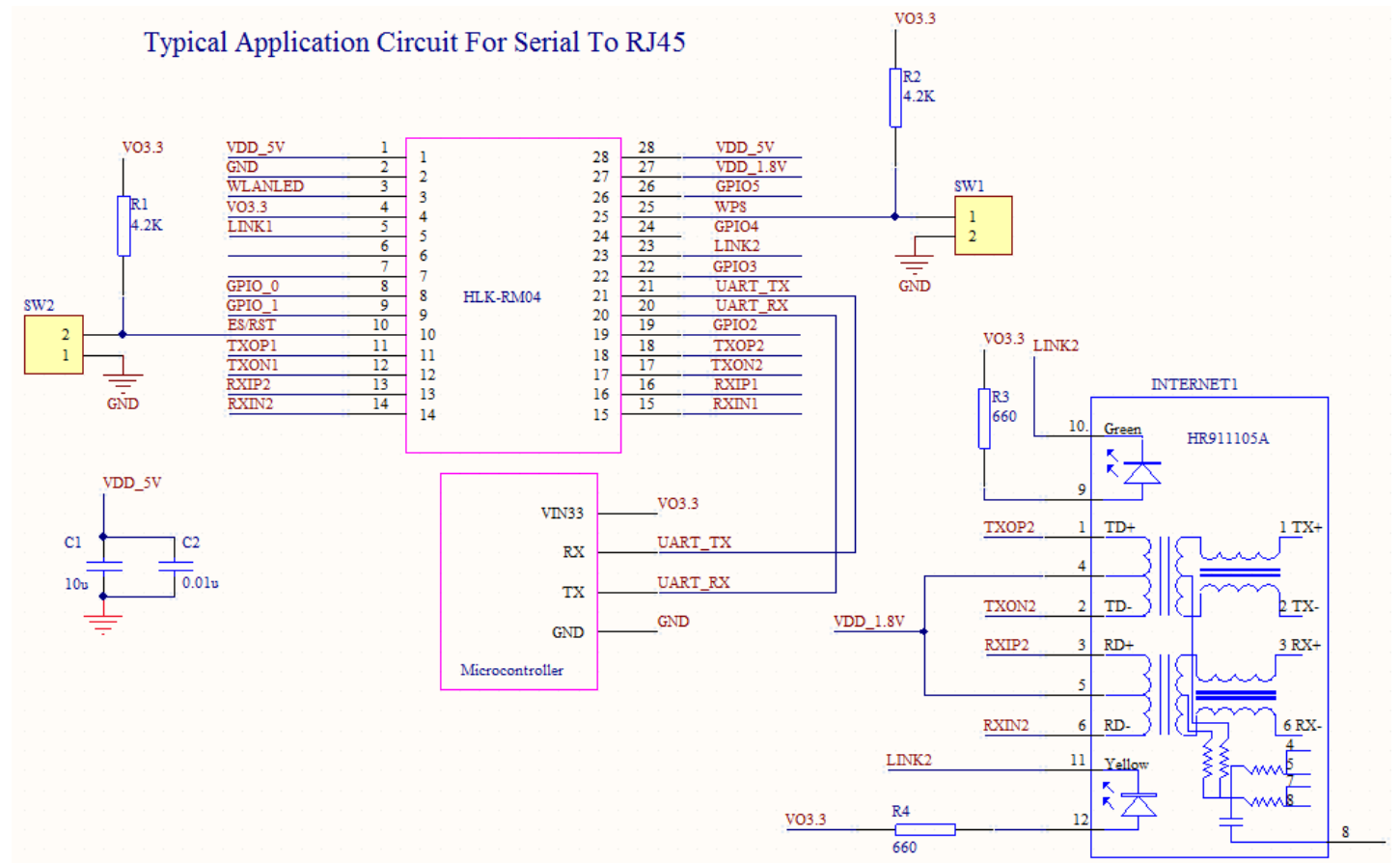


7. Typical Application Circuit

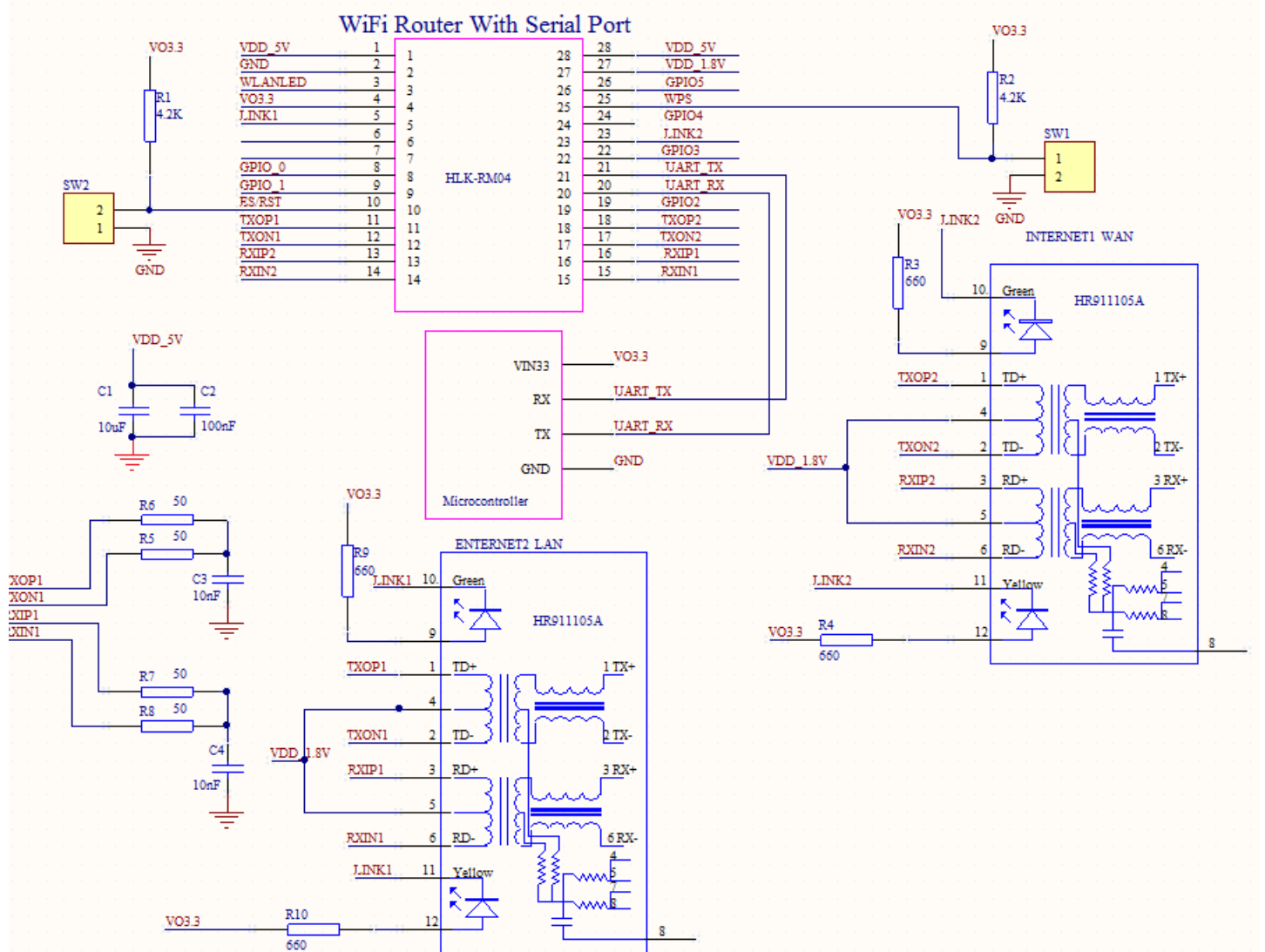
7.1 Serial To WiFi



7.2 Serial To RJ45



7.3 Wireless Router with Serial port(Default Mode)



Appendix Disclaimers

The contents of this document are subject to change without notice. Hi-Link reserves the right to make changes, without notice, in the products, including circuits and/or software, described or contained therein. Information contained in this document regarding device applications and the like is intended through suggestion only and may be superseded by updates. It is your responsibility to ensure that your application meets with your specifications.

Hi-Link warrants performance of its hardware products to the specifications applicable at the time of sale in accordance with Hi-Link's standard warranty. Testing and other quality control techniques are used to the extent Hi-Link deems necessary to support this warranty. Except where mandatory by government requirements, testing of all parameters of each product is not necessarily performed.

Hi-Link assumes no responsibility or liability for the use of any of these products, conveys no license or title under any patent, copyright, or mask work right to these products, and makes no representations or warranties that these products are free from patent, copyright, or mask work infringement, unless otherwise specified.

Hi-Link products are not intended for use in life support systems, appliances or systems where malfunction of these products can reasonably be expected to result in personal injury, death or severe property or environmental damage. Hi-Link customers using or selling these products for use in such applications do so at their own risk and agree to fully indemnify Hi-Link for any damages resulting

from such use.

All products are sold subject to Hi-Link 's terms and conditions of sale supplied at the time of order acknowledgment.

All trademarks are the property of their respective owners.